

xDSL Differential Line Driver

The EL1517 is a dual operational amplifier designed for VDSL and ADSL line driving in DMT based solutions. This device features a high drive capability of 250mA while consuming only 7mA of supply current per amplifier and operating from a single 5V to 12V supply. This driver achieves a typical distortion of -80dBc, at 150kHz into a 25Ω load.

The EL1517 is available in the industry-standard 8 Ld SOIC and the thermally-enhanced 16 Ld QFN packages. All are specified for operation over the full -40°C to +85°C temperature range. The 16 Ld QFN package option has control pins C₀ and C₁ for controlling the bias and enable/disable of the outputs. These controls allow for lowering the power to fit the performance/power ratio for the application.

The EL1517 is ideal for ADSL, SDSL, HDSL2 and VDSL line driving applications.

Ordering Information

PART NUMBER	PART MARKING	PACKAGE	TAPE & REEL	PKG. DWG. #
EL1517IS	1517IS	8 Ld SOIC	-	MDP0027
EL1517IS-T7	1517IS	8 Ld SOIC	7"	MDP0027
EL1517IS-T13	1517IS	8 Ld SOIC	13"	MDP0027
EL1517ISZ (Note)	1517ISZ	8 Ld SOIC (Pb-Free)	-	MDP0027
EL1517ISZ-T7 (Note)	1517ISZ	8 Ld SOIC (Pb-Free)	7"	MDP0027
EL1517ISZ-T13 (Note)	1517ISZ	8 Ld SOIC (Pb-Free)	13"	MDP0027
EL1517IL	1517IL	16 Ld QFN	-	MDP0046
EL1517IL-T7	1517IL	16 Ld QFN	7"	MDP0046
EL1517IL-T13	1517IL	16 Ld QFN	13"	MDP0046
EL1517ILZ (Note)	1517ILZ	16 Ld QFN (Pb-Free)	-	MDP0046
EL1517ILZ-T7 (Note)	1517ILZ	16 Ld QFN (Pb-Free)	7"	MDP0046
EL1517ILZ-T13 (Note)	1517ILZ	16 Ld QFN (Pb-Free)	13"	MDP0046

NOTE: Intersil Pb-free plus anneal products employ special Pb-free material sets; molding compounds/die attach materials and 100% matte tin plate termination finish, which are RoHS compliant and compatible with both SnPb and Pb-free soldering operations. Intersil Pb-free products are MSL classified at Pb-free peak reflow temperatures that meet or exceed the Pb-free requirements of IPC/JEDEC J STD-020.

Get Full Datasheet

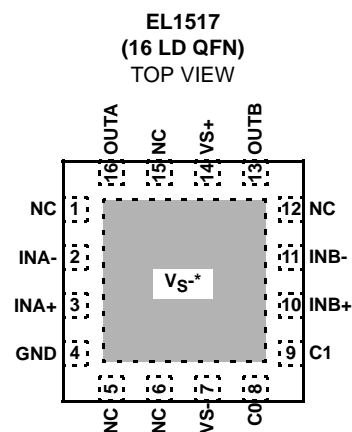
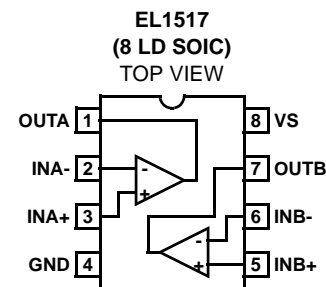
Features

- Drives up to 250mA from a +12V supply
- 18V_{P-P} differential output drive into 50Ω
- 20V_{P-P} differential output drive into 100Ω
- -80dBc typical driver output distortion at full output at 150kHz
- -75dBc typical driver output distortion at 3.75MHz
- -60dBc typical driver output distortion at 8MHz
- -50dBc typical driver output distortion at 16MHz
- Low quiescent current of 7mA per amplifier
- 200MHz bandwidth
- Use for single or dual supply applications
- Pb-free plus anneal available (RoHS compliant)

Applications

- VDSL line drivers
- ADSL full rate CPE line driving
- G.SHDSL, HDSL2 line drivers
- HomePlug networking drivers

Pinouts



*THERMAL PAD MUST BE CONNECTED TO NEGATIVE SUPPLY: V_{S-}. QFN PACKAGE CAN BE USED IN DUAL SUPPLY APPLICATIONS.

All Intersil U.S. products are manufactured, assembled and tested utilizing ISO9000 quality systems.
Intersil Corporation's quality certifications can be viewed at www.intersil.com/design/quality

Intersil products are sold by description only. Intersil Corporation reserves the right to make changes in circuit design, software and/or specifications at any time without notice. Accordingly, the reader is cautioned to verify that data sheets are current before placing orders. Information furnished by Intersil is believed to be accurate and reliable. However, no responsibility is assumed by Intersil or its subsidiaries for its use; nor for any infringements of patents or other rights of third parties which may result from its use. No license is granted by implication or otherwise under any patent or patent rights of Intersil or its subsidiaries.

For information regarding Intersil Corporation and its products, see www.intersil.com